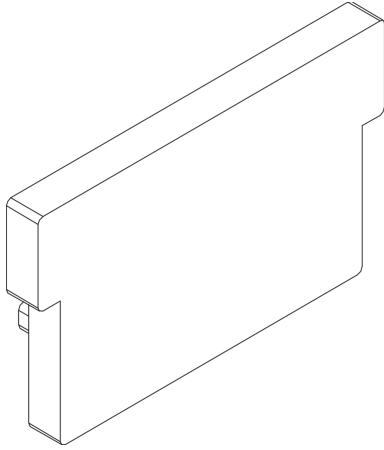


CLOSE CAP ALLUMINIUM 6212

Code: 14736

Close cap aluminium 6212



General specifications

Product type	Cap
--------------	-----

Physical specifications

Body color	Aluminium
------------	-----------
