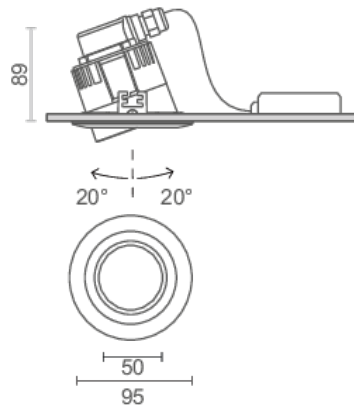


RA 8 DIXIT LED IP66 TILTABLE 4000K CRI 80 26°

Code: 235-250AY-21

The tiltable downlights RA 8 Dixit LED IP66 have been developed to meet the widest range of requirements in lighting design, focusing on key-applications such as retail, shopping centres and offices, also outdoors. The high efficiency of RA 8 Dixit LED IP66 is associated with low luminance and very low glare levels, for excellent visual comfort. The fittings can be supplied with replaceable optics for different light beams. High protection rating IP66. LED driver included.



General specifications

Designer	Ivela Design Team
Installation environment	Exterior
Native mounting type	Rebated flush-mounted
Mounting location	Ceiling
Made in	Italy

Physical specifications

Body material	Aluminum
Body finish	Raw
Body color	Alluminium
Formwork	Not available
IP	IP66
Waterstop	No
Salt mist resistance	No

Lighting specifications

Lumen	1622
L.O.R. (%)	877
Nominal Lumen (lm)	1843
Light type	White

CCT	4000K
Chromatic tolerance (SDCM)	3

Light Emission Specifications

Emission type	Direct monoemission
Optics / diffuser / reflector type	Mirror metallized thermoplastic reflector
Optical / diffuser / reflector material	Termoplastic
Optical finish / diffuser / reflector	Metallized
Beam (°)	26

Electrical specifications

Power supply availability	Not included
Power supply position	Internal
Control type	ON/OFF
Power (W)	12
Product Power downlight (W)	12
Power supply type (CC / CV)	Current
Frequency (Hz)	50-60
Insulation class	III
Light source type	LED COB

Dimensions and weight

Height / Thickness (mm)	89
Diameter (mm)	95
Recessed hole width (mm)	86

General conditions

Warranty	5 years
----------	---------